

Exhibit 30x60 Spec's

Deck Width
4 1/8"

Maximum Water Capacity
37.00 G

Minimum Water Capacity
32.00 G

Bathing Well Width
23 7/8"

Bathing Well Length
53 1/4"

Deep Sump Height
16 1/2"

Height
17 3/4"

Width
30"

Length
59 3/4"

Exhibit 32x60 Spec's

Deck Width
4 1/8"

Maximum Water Capacity
38.00 G

Minimum Water Capacity
35.00 G

Bathing Well Width
25 7/8"

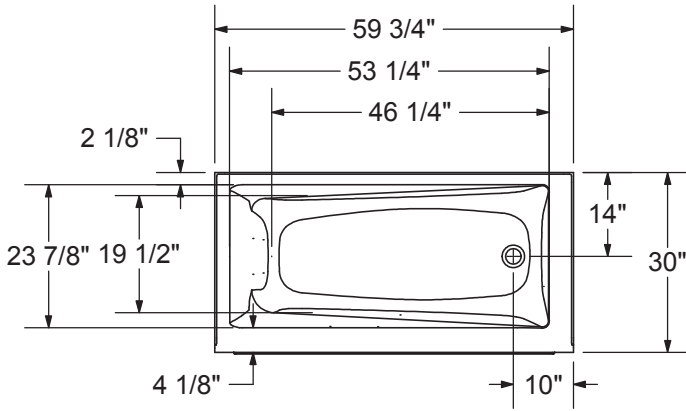
Bathing Well Length
53 1/4"

Deep Sump Height
16 1/4"

Height
17 3/4"

Width
32"

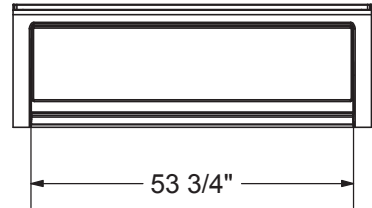
Length
59 3/4"



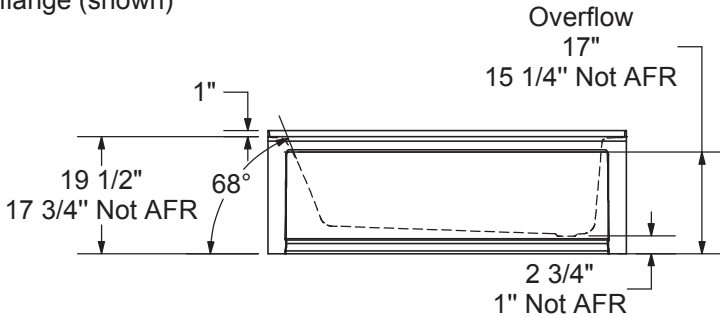
WITHOUT SYSTEM



WITH SYSTEM



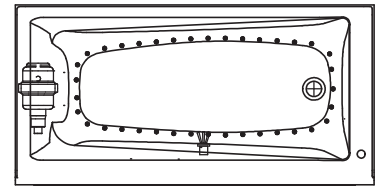
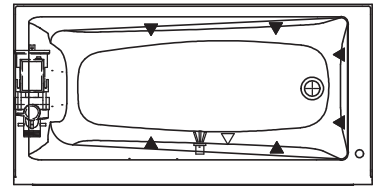
1" Single Integrated tiling flange (shown)



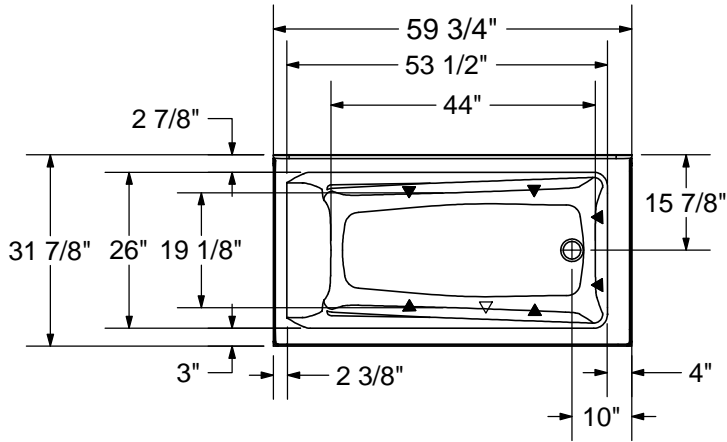
Wood support design may vary.
Single Integrated tiling flange: 1" height x 1/4" thickness (shown)

All dimensions are approximate. Structure measurements must be verified against the unit to ensure proper fit.

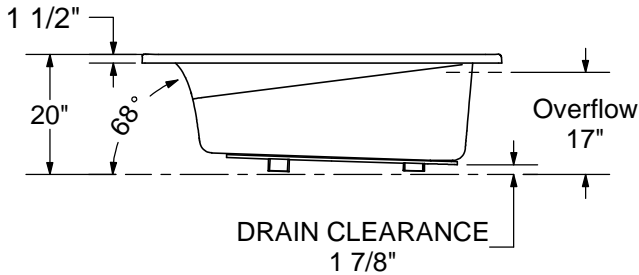
WHIRLPOOL SYSTEM
AIR SYSTEM



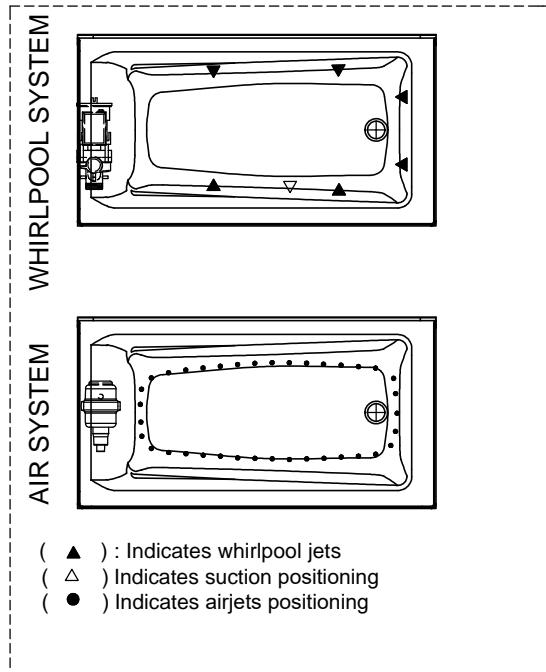
- (▲): Indicates whirlpool jets positioning
- (△): Indicates suction positioning
- (●): Indicates airjets positioning
- (☐): Indicates chromatherapy light positioning



1" Single Integrated tiling flange (shown)
 2" Double Integrated tiling flange (not shown)
 Drop-in model (Shown)



Wood support design may vary.
 Single Integrated tiling flange: 1" height x 1/4" thickness (shown)
 Double Integrated tiling flange: 2" height (not shown)
 All dimensions are approximate.
 Structure measurement must be verified against the unit to ensure proper fit.



- (▲) : Indicates whirlpool jets
- (△) Indicates suction positioning
- (●) Indicates airjets positioning