

## **Rubix 30x60 Spec's**

**Deck Width**  
3 1/8"

**Maximum Water Capacity**  
54.00 G

**Minimum Water Capacity**  
34.00 G

**Bathing Well Width**  
23 3/8"

**Bathing Well Length**  
54 3/4"

**Deep Sump Height**  
16 3/4"

**Height**  
18 3/8"

**Width**  
30"

**Length**  
59 3/4"

## **Rubix 32x60 Spec's**

**Deck Width**  
3 1/8"

**Maximum Water Capacity**  
59.00 G

**Minimum Water Capacity**  
30.00 G

**Bathing Well Width**  
25 3/8"

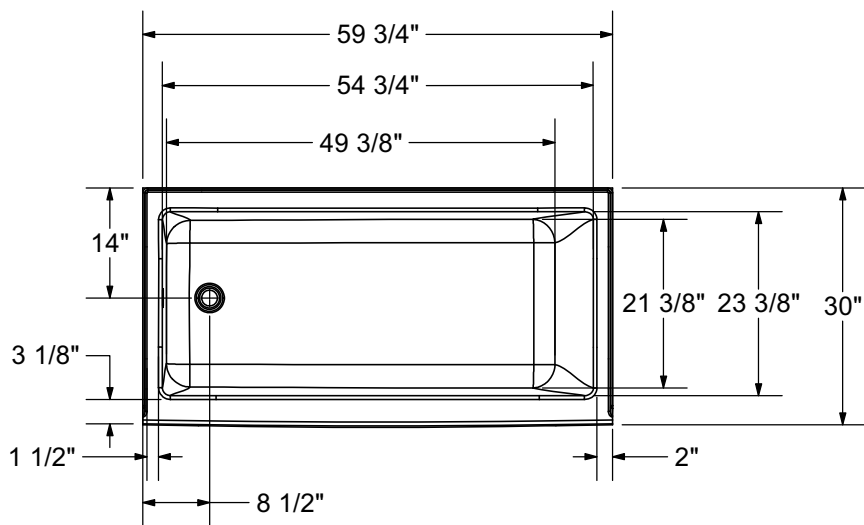
**Bathing Well Length**  
54 3/4"

**Deep Sump Height**  
16 3/4"

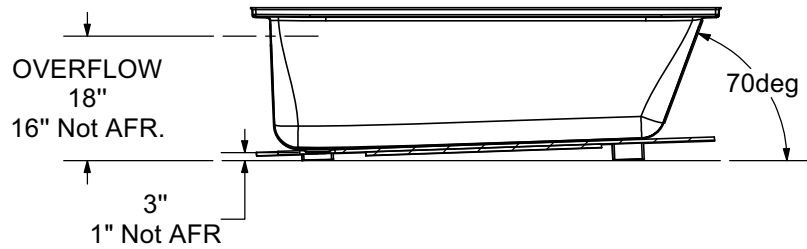
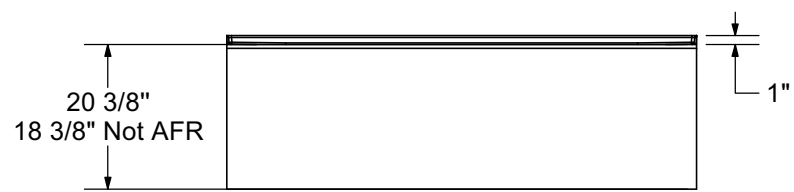
**Height**  
18 3/8"

**Width**  
32"

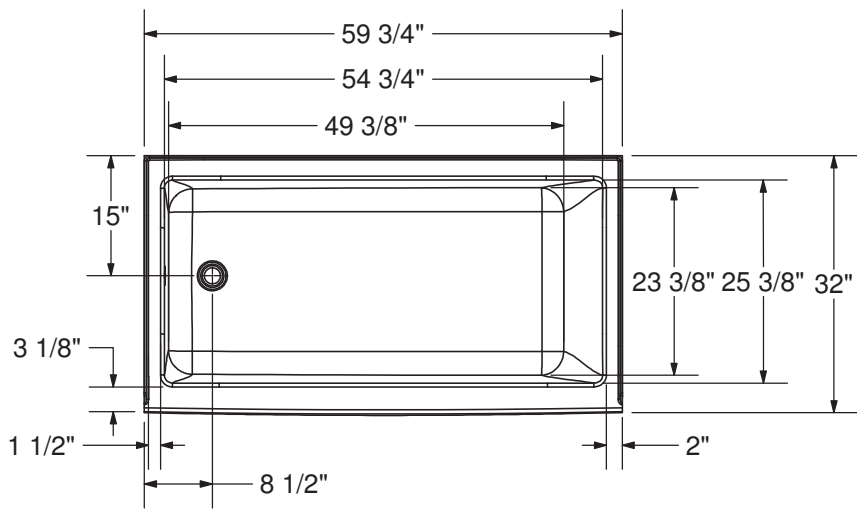
**Length**  
59 3/4"



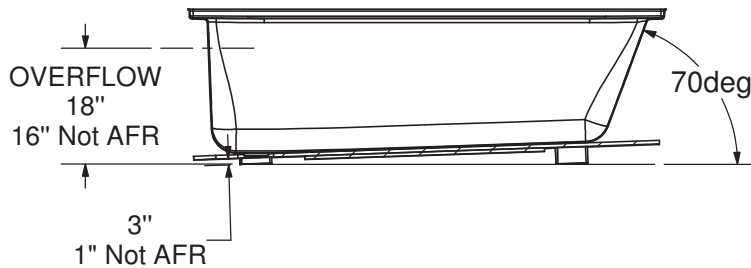
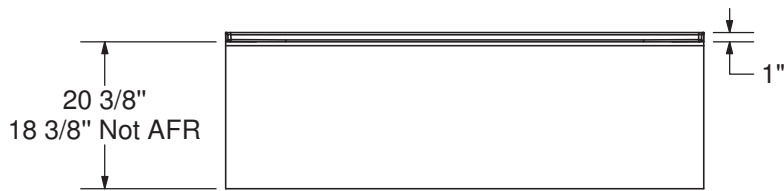
1" Single Integrated tiling flange (shown)  
 2 3/8" Double Integrated tiling flange (not shown)



Wood support design may vary.  
 Single Integrated tiling flange: 1" height x 1/4" thickness (shown)  
 Double Integrated tiling flange: 2 3/8" height (not shown)  
 All dimensions are approximate. Structure measurements must be verified against the unit to ensure proper fit.



1" Single Integrated tiling flange (shown)  
 2 3/8" Double Integrated tiling flange(not shown)



**Wood support design may vary.**  
**Single Integrated tiling flange: 1" height x 1/4" thickness (shown)**  
**All dimensions are approximate. Structure measurements must be verified against the unit to ensure proper fit.**